

# Crate Buyer's Guide Specification Sheet

Email form to  
customerservice@larsonpkg.com

Customer:




Quantity:

Number of crates with these characteristics per order:

Date:

PO #:

Number per release:

Do you have an existing drawing or specifications?	Yes	No	(If yes, please provide)		
Type	Skid	Crate			
Description of the item					
Size of item to be crated (inches)	" Length	" Width	" Height	(enter the longer of x or y dimensions as length)	
OR/ Inside Crate Dimensions (ID)	" Length	" Width	" Height		
Weight of item	Pounds				
Destination	Domestic	International			
Transit:	Air	Sea	Ground	(check all that apply)	
If International:	Country/ies				
Number of Uses	One time	Reusable			
Need shock or vibration protection	Yes	No			
Assembly	Setup	KD			
	If set up, leave off:	Cap with front loose	Top	Front	
Closure Device	Klimp	Link-lock	Screw	Lag Bolt	
Packing Services Required	Yes	No			
Logistics of items to be packed	Customer will deliver to LPC		LPC will pick up		
	If LPC pickup	Air-Ride	Yes	No	
		Liftgate	Yes	No	
Shipping of packed crate	Customer will arrange pickup from LPC facility				
	LPC to deliver packed crates				
	Other				
Appearance	Show Quality	Standard	Industrial		
Stencils/Markings	International Markings	  	From Address	To Address	P/N with rev levels
	Other		Weights/Dimensions		

## LPC Use

- Floater Base
- Foam lined
- Skid bevel
- Ramp
- Risers
- Rails
- Well
- Felt/Microfoam
- Barrier bag
- Poly bag
- Shrink wrap
- Stretch film
- Caseline
- Desiccant
- Packaging
- Banding
- V-boards
- Brackets
- Blocking
- Safety bolts
- Lag bolts
- Shock indicator
- Tilt indicator

Notes:

Visit us at [www.larsonpkg.com](http://www.larsonpkg.com)

(408) 946-4971 1000 Yosemite Drive, Milpitas, CA 95035  
 (619) 579-7166 280 Cypress Ln. El Cajon, CA 92020  
 (662) 240-2404 10291 State Line Rd, Olive Branch, MS 38654



ISO 9001:2015 Certified  
Quality Management System

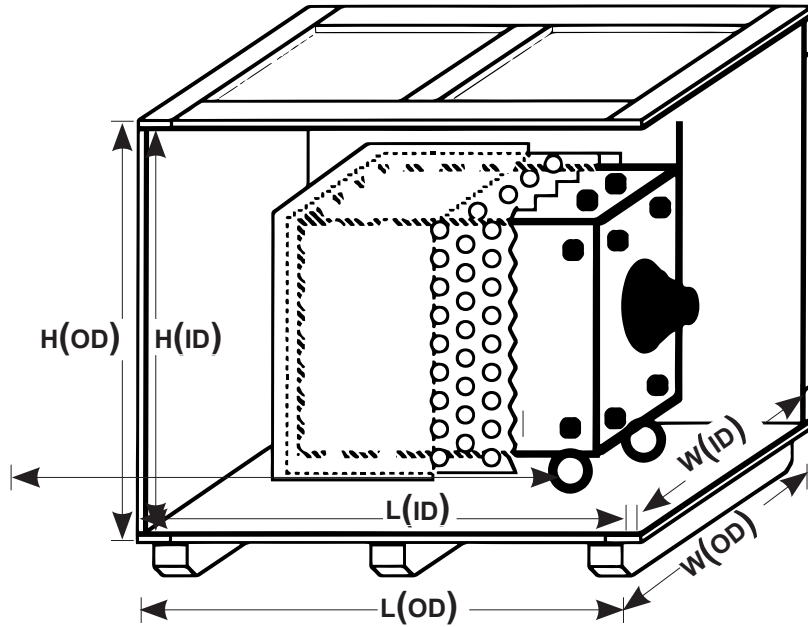


Copyright © 2002-2022, Larson Packaging Company, LLC. All rights reserved.

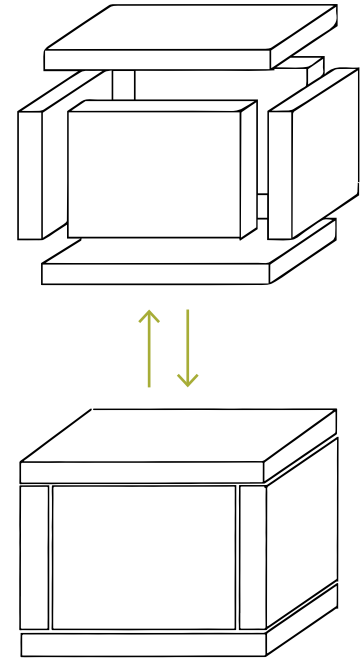
# Crate Buyer's Guide Specification Sheet

## Dimensions

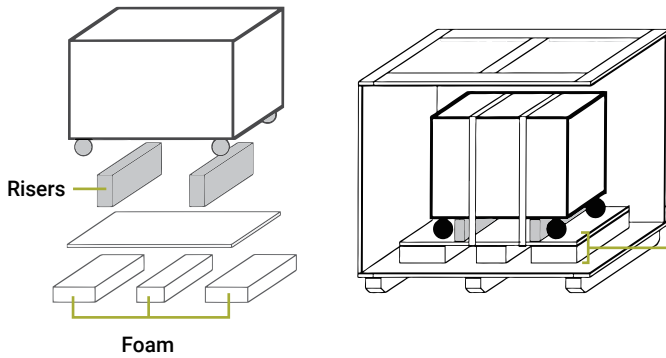
Include any protrusions in your product dimensions. Note bolt heads, gauges, knobs, casters, door handles, etc.



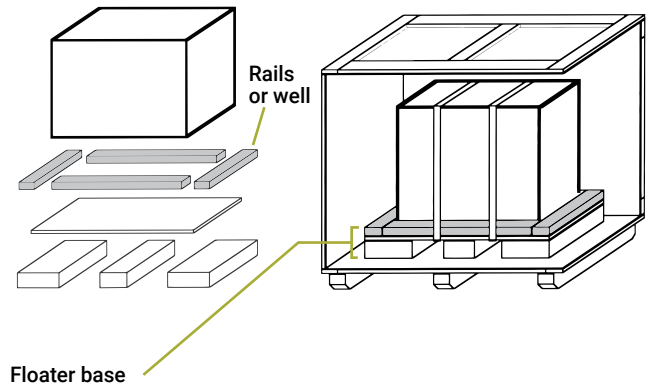
## Full Cavity Foam Lining



## Floater Base with Risers



## Floater Base with Rails



## Closure Devices



Visit us at [www.larsonpkg.com](http://www.larsonpkg.com)

(408) 946-4971 1000 Yosemite Drive, Milpitas, CA 95035  
 (619) 579-7166 280 Cypress Ln. El Cajon, CA 92020  
 (662) 240-2404 10291 State Line Rd, Olive Branch, MS 38654



ISO 9001:2015 Certified  
Quality Management System



Copyright © 2002-2022, Larson Packaging Company, LLC. All rights reserved.